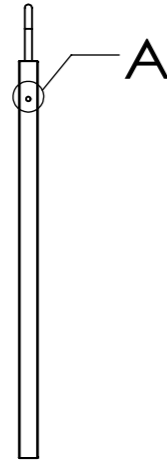


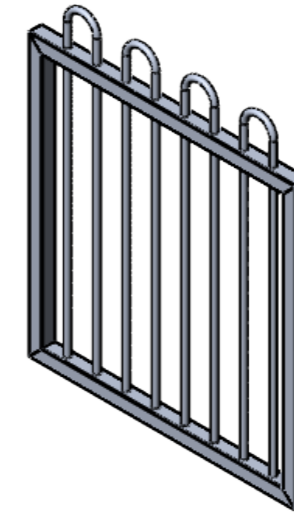
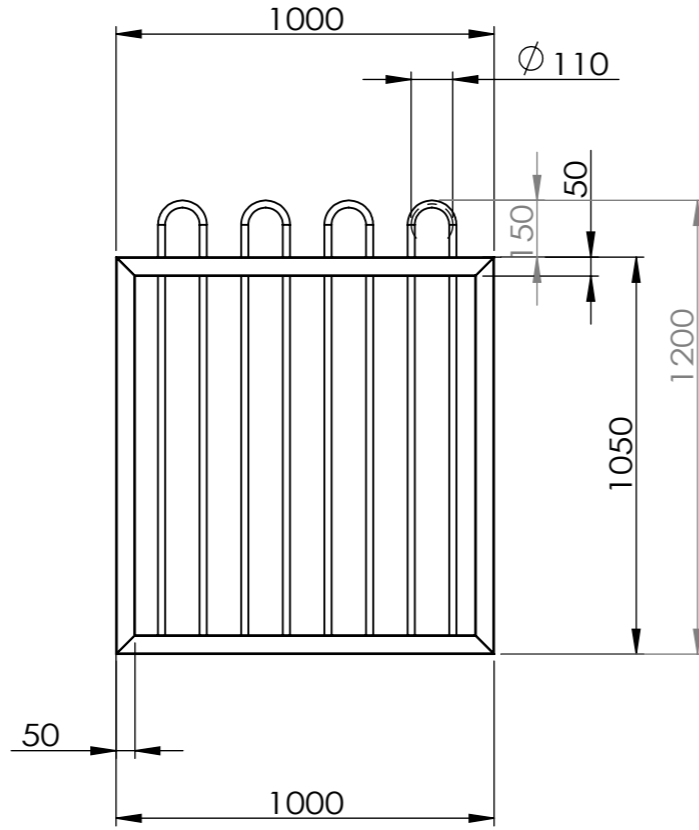
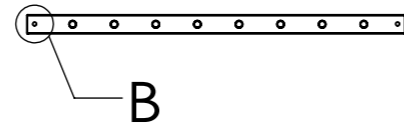
Loop Top Gate 1000 x 1200

ITEM NO.	PART NUMBER	DESCRIPTION	QTY
1	10703	Aluminium 50*50*2mm*1050mm	2
2	10703	Aluminium 50*50*2mm*1000mm	2
3	11201	Aluminium 19*1.2mm*2462.7mm	4

Detail A:
Process hole



Detail B:
Process hole



GENERAL NOTES:

- 1.UNLESS OTHERWISE SPECIFIED DIMENSIONS ARE MM.
- 2.ALL DIMENSIONS ARE BEFORE ANY FINISHING OR COATING.
- 3.ALL DIMENSIONS ARE ±1MM(UNLESS OTHERWISE NOTED).
- 4.Drawings are for reference only, and if there is any change, consult with management

FENCE FOUNDRY

METAL FENCES & GATES